



# Winthrop Students - CREATE SPACE with a TimberNest Loft Bed

Sponsored by:

Winthrop National Residence Hall Honorary



timbernest.com  
919-285-1246  
info@timbernest.com

MADE IN USA



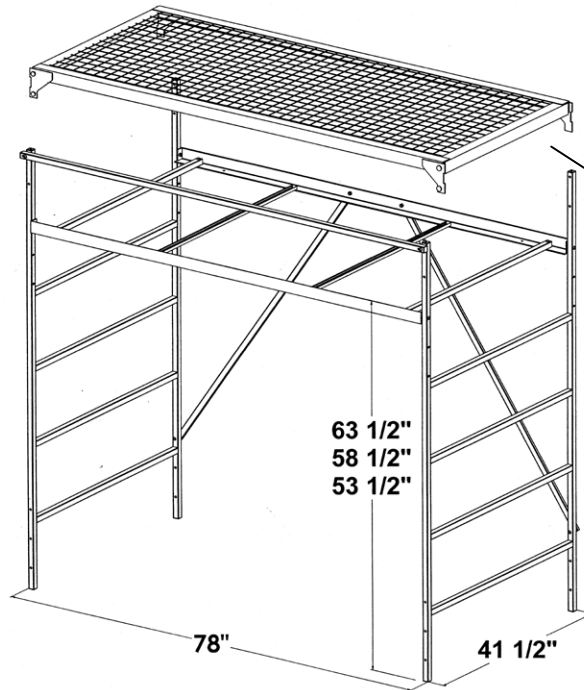
## TimberNest "Iron-Nest" Model TN1071P

- **Purchase for \$279** (prev. leased, reconditioned)
- **\$100 Buyback** (end of spring semester)
- Convenient assembly (instructions, tools)
- Safety rail
- Rigid and SAFE
- 3 height settings

*It's our 27<sup>th</sup> year at Winthrop!*

## Add a "Pillow Shelf" Model TN220P

- **Purchase for \$21** (prev. leased, reconditioned)
- Customized to fit only the IronNest
- Folded up edge helps keep items from falling
- Useful for night-items; phone, books, lamp, etc.

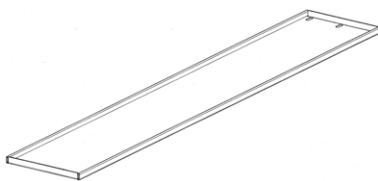


Winthrop NRHH receives a portion of the proceeds from sales.

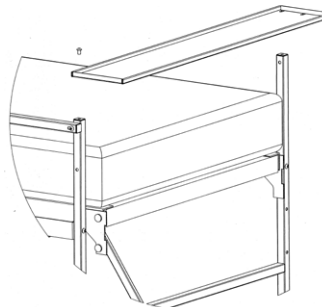
Similar steel bed spring (& mattress) is provided by Winthrop. Removable bed-ends are not shown.

**Student-installed loft beds are ONLY PERMITTED in Phelps and Lee Wicker rooms 338-370 and ground floor only.**

**(If you do NOT live in one of these halls, please do NOT order a loft bed.)**



(screws into the legs at the pillow-end of the loft bed)



**How to order:** Visit [www.timbernest.com](http://www.timbernest.com) and select **Winthrop**. Order by 8/18/26 to ensure delivery.

**Pick-up on move-in days:**

**When: Wed Aug 19, Fri Aug 21, 2026 times: 8:30am – 3:00pm** (upperclassmen moving in after 8/22 may contact-us to schedule delivery)

**Where: Memorial Circle between Byrnes Auditorium and Kinard**

**\$100 Cash Buyback - end of school-year: Mon April 26, 2027 9am-12pm at Memorial Circle between Byrnes Auditorium and Kinard.** This is just BEFORE exams and quiet hours, so you should plan to reassemble the issued low bed for the last week of school. *See our website for more details of the Buyback.*

**Please Note:** All furniture that is provided by Winthrop University must stay in your room during the school year. The only components of the existing bed frame that will need to be stored are the (2) ends that "hook" onto the bed spring. A Residential Success Coordinator (RSC) must inspect all loft beds. Your RSC will contact you with the date of inspection. The IronNest is provided with plastic caps that must remain inserted into the loft bed leg bottoms to protect the floor from being scratched.

**WARRANTY:** TimberNest will warranty the products through April 2027. During this time, TimberNest will send replacement parts free of charge if needed, however, charges will be applied for components replaced due to misuse or as result of assembly not in accordance with the instructions.

**Cancellation and Return Policy:** To cancel, the Customer/Cardholder must call TimberNest prior to move-in day, OR cancel in-person at the pickup location on move-in day. You may cancel & return products (if already picked-up) on 8/19 or 8/21, 2026 until 3:00pm. No cancellations or returns are accepted after 8/21/26 at 3:00 PM.

**Refund Policy:** Orders cancelled on or before August 18, 2026 will receive a full refund. Orders cancelled from August 19, 2026 through the end of pick-up time (8/21/26 @ 3:00pm) may be subject up to a 10% product-relocation fee. Absolutely no refunds will be issued for orders not picked up or for orders cancelled after the end of pick-up time (8/21/26 @ 3:00pm).

We help you  
save space.

(make room for college!)



## TimberNest IronNest Loft Beds:

- Universal & safe design
- \$100 Cash Buyback
- [Order at: timbernest.com](http://timbernest.com)

IronNest Loft  
Beds create up to  
**30% more**  
living space

In your  
college room,  
that's a lot!